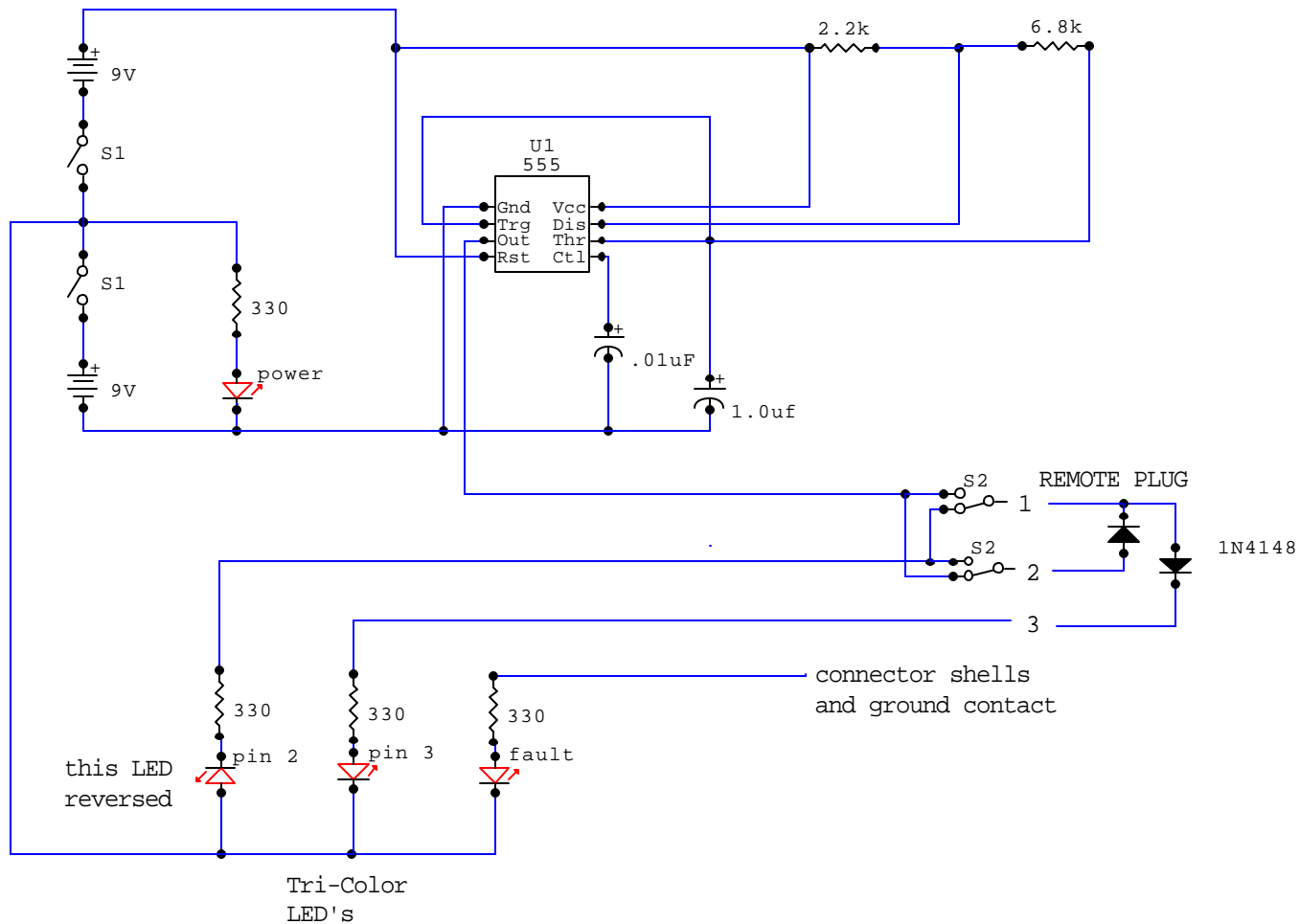


THE FARREL BECKER CABLE TESTER



This is a slight modification of Farrel Becker's design. It has an LED added to show when the power is on. The numbers on the remote plug correspond to the pin designations of an XLR connector. The tester can also be used to test TRS TS and RCA connectors also.

Daisy-chain the wiring as follows: TRS T=2 R=3 S=1 wire diodes on test jack same as XLR. TS T=2 S=1 install 1 diode between T and S.

RCA pin=2 shell=1 install 1 diode on test jack. I hope that this is clear enough. Refer to the original schematic for details on construction.